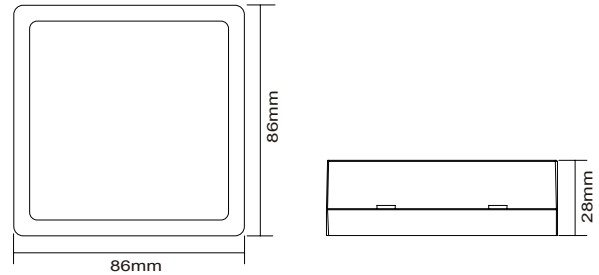


RGB LED Controller A8901

RGB LED控制器 A8901



Product Features:

- Design for RGB LED colour changing.
- Built-in 18 pre-set mode functions plus adjustable brightness & speed.
- Independent control of RGB three channels to create full colour control. Each channel has a maximum current of 3A.
- Adjustable 256 grey scale for fine and smooth change of colour.
- Static control of colour and brightness: 16 steps for each RGB channel, i.e. 4096 different colours.
- Equipped with IR remote controller.
- In conjunction with power repeaters, control can be extended indefinitely.
- Wall mounting facet to allow easy access and user friendly control.

產品特點:

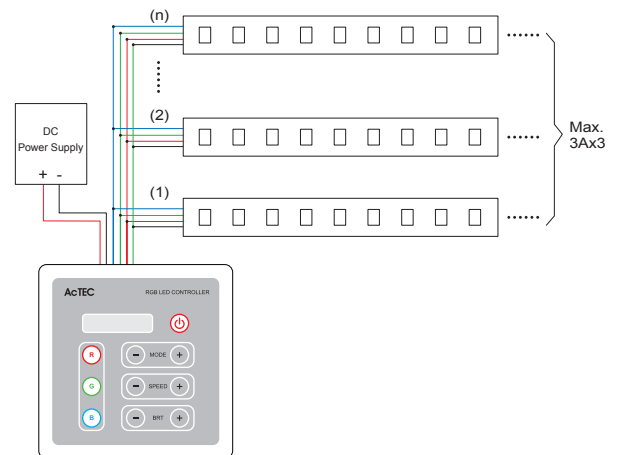
- 適用RGB LED燈(共陽)的控制
- 18種功能選擇, 模式、亮度、速度可變
- 3通道RGB全彩控制, 每路最大電流3A
- 灰度級別: RGB各256級
- 靜態調色調光: RGB各16級, 4096種顏色
- IR無線遙控器
- 可增加信號擴展器, 實現功率的無限放大
- 高檔牆體面板開關按鈕設計, 直接操控

Mode Functions

No.	Style	Remarks
序號	變化模式	說明
1	Static red 靜態紅色	Brightness adjustable 亮度可調
2	Static green 靜態綠色	Brightness adjustable 亮度可調
3	Static blue 靜態藍色	Brightness adjustable 亮度可調
4	Static yellow 靜態黃色	Brightness adjustable 亮度可調
5	Static purple 靜態紫色	Brightness adjustable 亮度可調
6	Static cyan 靜態青色	Brightness adjustable 亮度可調
7	Static white 靜態白色	Brightness adjustable 亮度可調
8	3-colour skipping 三色跳變	Brightness and speed adjustable 亮度、速度可調
9	7-colour skipping 七彩跳變	Brightness and speed adjustable 亮度、速度可調
10	White colour strobe 白色頻閃	Brightness and speed adjustable 亮度、速度可調
11	3-colour smooth 三色漸變	Brightness and speed adjustable 亮度、速度可調
12	Full colour smooth 全彩漸變	Brightness and speed adjustable 亮度、速度可調
13	RG colour smooth RG漸變	Brightness and speed adjustable 亮度、速度可調
14	RB colour smooth RB漸變	Brightness and speed adjustable 亮度、速度可調
15	GB colour smooth GB漸變	Brightness and speed adjustable 亮度、速度可調
16	White colour fade & change 白色漸變	Brightness and speed adjustable 亮度、速度可調
17	Great cycle 循環模式	/
18	RGB static dimming RGB靜態調光	16 levels of brightness per RGB RGB各16級亮度

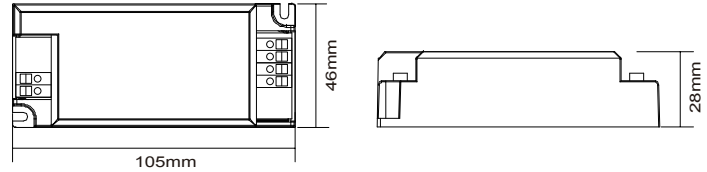
Technical Specifications 技術參數

Input/output voltage	電源輸入/輸出	5-24V DC(Auto-Switch)
Max output current	最大電流輸出	3A/CHANNEL x 3 CHANNEL
Max output power at 24V	最大功率輸出	(24V x 3A) x 3CH = 216W
Working temperature	使用環境溫度	-20°C --- +60°C
Dimensions LxWxH	產品尺寸	86x86x28mm
Fixing centre	安裝孔距	60mm
Weight	重量	112g



RGB LED Controller A8903

RGB LED控制器 A8903



Product Features:

- Design for RGB LED colour changing.
- Built-in 18 pre-set mode functions plus adjustable brightness & speed.
- Independent control of RGB three channels to create full colour control. Each channel has a maximum current of 3A.
- Adjustable 256 grey scale for fine and smooth change of colour.
- Static control of colour and brightness: 16 steps for each RGB channel, i.e. 4096 different colours.
- Equipped with IR remote controller.
- In conjunction with power repeaters, control can be extended indefinitely.
- Easy installation & user friendly.

產品特點:

- 適用RGB LED燈(共陽)的控制
- 18種功能選擇, 模式、亮度、速度可變
- 3通道RGB全彩控制, 每路最大電流3A
- 灰度級RGB各256級, 漸變效果柔和細膩
- 靜態調色調光; RGB各16級, 4096種顏色
- IR無線遙控器
- 可增加信號擴展器, 實現功率的無限放大
- 接收頭引線設計, 隨意安裝

Mode Functions

No.	Style	Remarks
序號	變化模式	說明
1	Static red 靜態紅色	Brightness adjustable 亮度可調
2	Static green 靜態綠色	Brightness adjustable 亮度可調
3	Static blue 靜態藍色	Brightness adjustable 亮度可調
4	Static yellow 靜態黃色	Brightness adjustable 亮度可調
5	Static purple 靜態紫色	Brightness adjustable 亮度可調
6	Static cyan 靜態青色	Brightness adjustable 亮度可調
7	Static white 靜態白色	Brightness adjustable 亮度可調
8	3-colour skipping 三色跳變	Brightness and speed adjustable 亮度、速度可調
9	7-colour skipping 七彩跳變	Brightness and speed adjustable 亮度、速度可調
10	White colour strobe 白色頻閃	Brightness and speed adjustable 亮度、速度可調
11	3-colour smooth 三色漸變	Brightness and speed adjustable 亮度、速度可調
12	Full colour smooth 全彩漸變	Brightness and speed adjustable 亮度、速度可調
13	RG colour smooth RG漸變	Brightness and speed adjustable 亮度、速度可調
14	RB colour smooth RB漸變	Brightness and speed adjustable 亮度、速度可調
15	GB colour smooth GB漸變	Brightness and speed adjustable 亮度、速度可調
16	White colour fade & change 白色漸變	Brightness and speed adjustable 亮度、速度可調
17	Great cycle 循環模式	/
18	RGB static dimming RGB靜態調光	16 levels of brightness per RGB RGB 各 16級亮度

Technical Specifications 技術參數

Input/output voltage 電源輸入/輸出	5-24V DC(Auto-Switch)
Max output current 最大電流輸出	3A/CHANNEL x 3 CHANNEL
Max output power at 24V 最大功率輸出	(24V x 3A) x 3CH = 216W
Working temperature 使用環境溫度	-20°C --- +60°C
Dimensions LxWxH 產品尺寸	105x46x28mm
Fixing centre 安裝孔距	97mm
Weight 重量	80g

